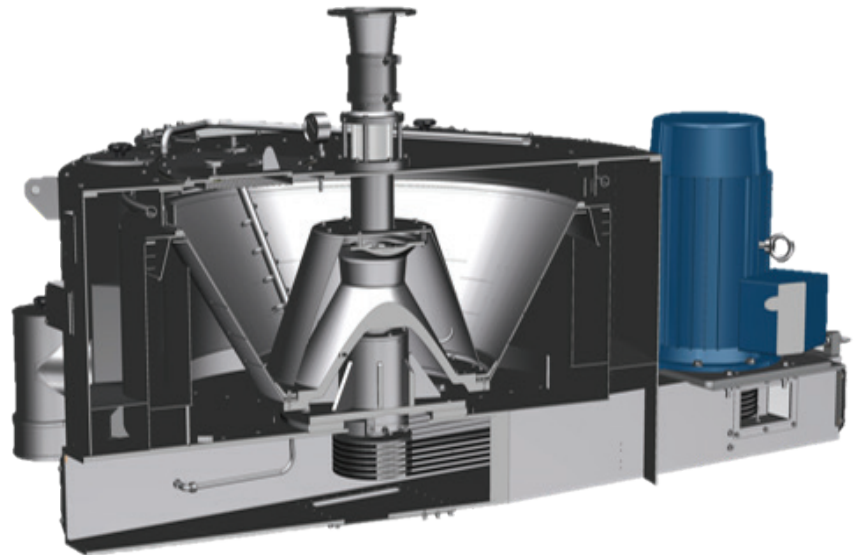




BUCKAU-WOLF CONTINUOUS CENTRIFUGALS

Buckau-Wolf Continuous Centrifugals C2500, C3000 combine special design features with an efficient type of construction, with many advantages for processing (1) raw sugar, (2) after-product and (3) after-product affination. The C series offers highest performance, minimal energy consumption, easy operability and low maintenance costs.

- Housing with low overall height for ergonomic operation
- A robust type of bearing construction with low oscillations, with drive motor and bearing system on one level, minimizing relative movements to one-another
- Generously sized bearings with reinforced basket shaft
- Simple sampling of 'white', 'green' run-off and sugar on the operator level
- Possibility of bearing lubrication by means of oil mist, hence a markedly longer service life of the bearing system
- Available as dry - "/D" and liquid discharge "/L" version
- Use of 'two-stage' top screens, hence better separation results and lower washing water requirement
- Simple disassembly and reassembly of the basket due to a reduced number of components
- Acceleration Cone with the possibility of integral steam feeding, thus a reduction of the massecuite viscosity and an increase at separation efficiency



- Process optimisation by means of various possibilities for the adding of auxiliary media e. g. water, steam and syrups
- Optimum control of massecuite feeding via PLC, and hence possibility of the use of more powerful control algorithms as compared with conventional PID controller
- Simple operation due to local Human Machine Interface (HMI) & detailed graphical display
- Motor starter system: Soft starter also available as Star-Delta or frequency converter drive
- Interface to process control systems also available

Buckau Wolf C Continuous Centrifugals are leading in output, energy efficiency and low maintenance. As a result,

the C Continuous Centrifugal, is a high performance and easy to operate machine that is efficient in every aspect and will satisfy your requirements in the processing of raw sugar, after-product and afterproduct affination magna.





Type		C2500		C3000		
Product		Beet	Cane	Beet	Cane	
Motor	kW	55		90		
B-Product	T > 60 °C	t/h	≤ 28	≤ 25	≤ 40	≤ 35
C-Product	T > 50 °C	t/h	≤ 15		≤ 21	
C-Affination	T > 70 °C	t/h	≤ 22	≤ 20	≤ 32	≤ 27

SERVICE UNLIMITED

Buckau-Wolf machines and devices are used by our customers worldwide. And so is our service whenever you need us, we are there to help and give advice.

Our Services

- Process consultation for planning and operating machinery
- Assembly and startup/commissioning
- 24/7 spare parts service during sugar campaign
- Maintenance and repair
- Machine diagnosis
- Inspection with eddy-current technology

Our market is the world

Buckau-Wolf GmbH is a globally active, owner-managed company with a long tradition specializing in special machinery. We are experts in industrial mixing and separation processes for a variety of applications. We offer our customers the reliability of a supplier that has been established for decades, modern control technology, competent staff and flexible service.

Whether with spare parts, maintenance, inspection, security conversions or rental machines - **qualified, reliable and flexible**

BUCKAU-WOLF GMBH

Nordstrasse 41
41515 Grevenbroich
Germany

Phone: +49 2181 602-0
Fax: +49 2181 602-342
E-Mail: buckau@buckau-wolf.com

www.buckau-wolf.com

