



SERVICES FOR SUGAR TECHNOLOGY

Buckau Wolf Sugar Technology supports its customers during commissioning, maintenance, repair, operational safety checks and recurring tests. Our service employees are qualified, long-term experienced and certified professionals.

Commissioning

- ▶ Worldwide commissioning of our machines
- ▶ We commission machines and train our customers with our experienced technical experts

Maintenance and repair

- ▶ We perform maintenance at our site in Grevenbroich, Germany, or at the sites of our customers
- ▶ We repair customer machines and perform safety modifications according to the state-of-the-art

Original spare parts

- ▶ We keep large stocks of spare parts to ensure quick service.
- ▶ We have original spare parts available even for machines that were commissioned decades ago

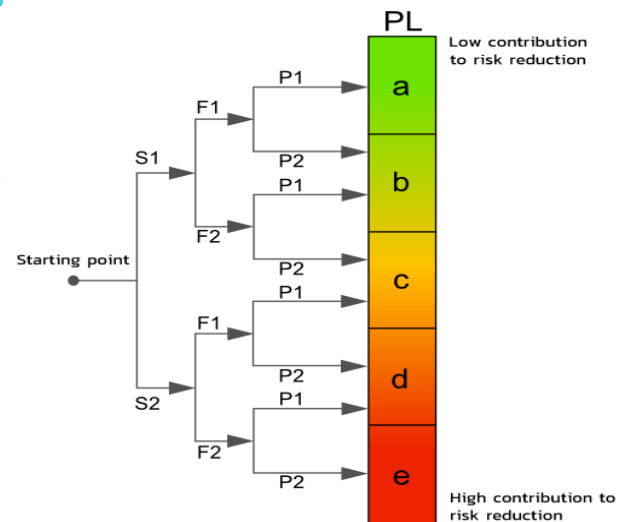


Recurring tests according to DGUV

- ▶ Inspection of centrifuges according to the latest diagnostic procedures
- ▶ We perform recurring tests on centrifugals according to DGUV rule 100-500 (German social accident insurance)
- ▶ Reliable and repeatable test results
- ▶ Our employees are qualified, certified, and authorised persons according to EN ISO 9712. (Non destructive testing)
- ▶ Inspection, repairs and documentation from a single source
- ▶ Early detection of occurring defects
- ▶ Preventive maintenance to avoid damages
- ▶ Less expenditures of time and cost
- ▶ Long-term experience

Modernization

- ▶ Modification of existing centrifuges according to performance level D
- ▶ Implementation according to valid Machinery Directive
- ▶ Possible integration of a monitoring system for continuous analysis and diagnosis of all rotating parts as well as the functionality for automatic transfer of status and fault reports by SMS or e-mail
- ▶ Improved operational safety according to performance level D
- ▶ Failsafe control due to design and programming in accordance with DIN ISO 13849-1
- ▶ Sensor upgrades to monitor vibration, speed, and pendulum movement



- ▶ Safety-Limited Speed (SLS) for safe shutdown in the event of a malfunction without loss of batch or delay due to cleaning
- ▶ State-of-the-art diagnostic system for quick analysis, localisation and repair of defects



Further Services

- ▶ Manufacturing of components
- ▶ Machine analysis
- ▶ Process optimization
- ▶ Balancing of machine components with or without disassembling according to DIN ISO 21940-11
- ▶ Evaluation of machine vibration according to DIN ISO 10816-3

Our market is the world

Buckau-Wolf GmbH is a globally active, owner-managed company with a long tradition specializing in special machinery. We are experts in industrial mixing and separation processes for a variety of applications. We offer our customers the reliability of a supplier that has been established for decades, modern control technology, competent staff and flexible service.

Whether with spare parts, maintenance, inspection, security conversions or rental machines - **qualified, reliable and flexible**

BUCKAU-WOLF GMBH

Nordstrasse 41
41515 Grevenbroich
Germany

www.buckau-wolf.com

Phone: +49 2181 602-0
Fax: +49 2181 602-342

info@buckau-wolf.com



Buckau-Wolf